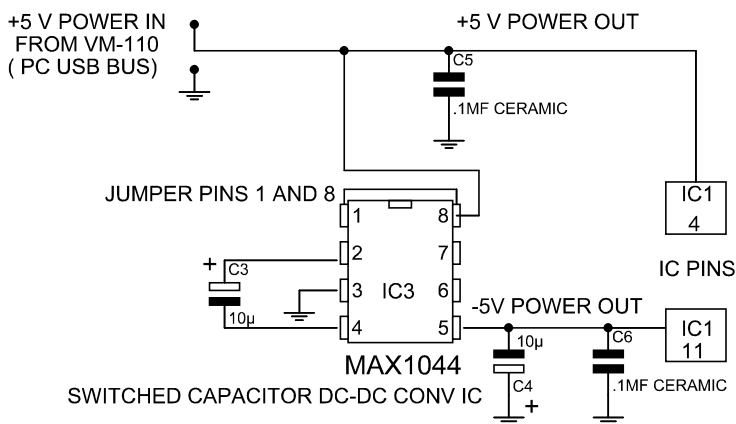
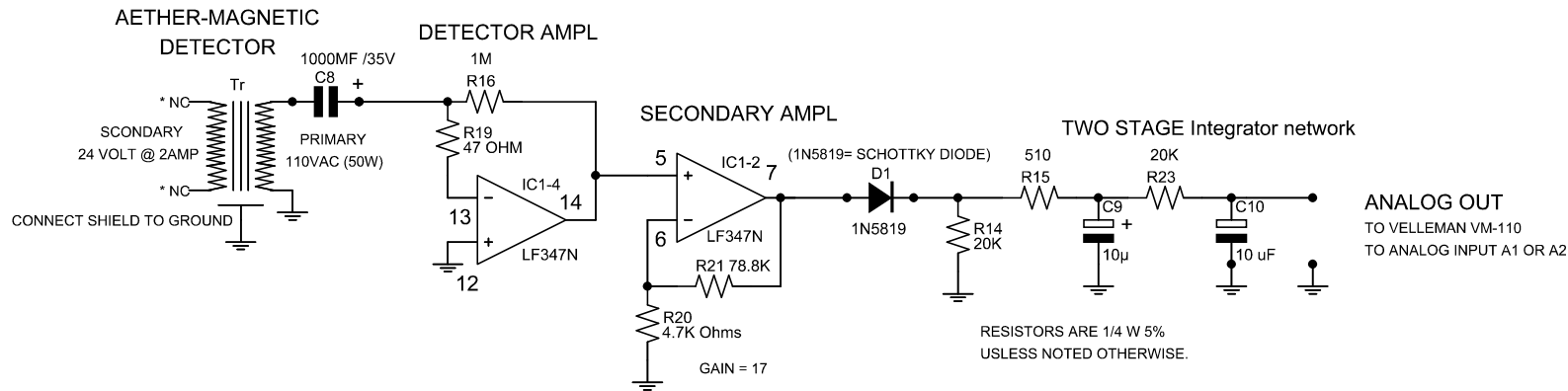


For Experimental Detection of Natural ULF Energy Phenomena.



ULTRA LOW FREQUENCY AETHER-MAGNETIC DETECTOR CIRCUIT

THIS CIRCUIT IS DESIGNED FOR SCIENTIFIC USE
IN THE DETECTION OF ULTRA LOW FREQUENCY MAGNETIC ACTIVITY
AND THE STUDY OF THE BARKHOUSEN EFFECT
AND THE AETHER-MAGNETIC EFFECT.

IT IS DESIGNED TO BE INTERFACED WITH A VELLEMAN VM-110 / K8055
A TO D AND PC USB INTERFACE BOARD AND TO USE REALVIEW
2.0 OR 3.0 CHART RECORDER SOFTWARE BY ABACOM.

(C) TONY DEVENCENZI 2009 frostalarm@att.net REV 02/15/2013